

INTEGRITY METAL WORKS INC.

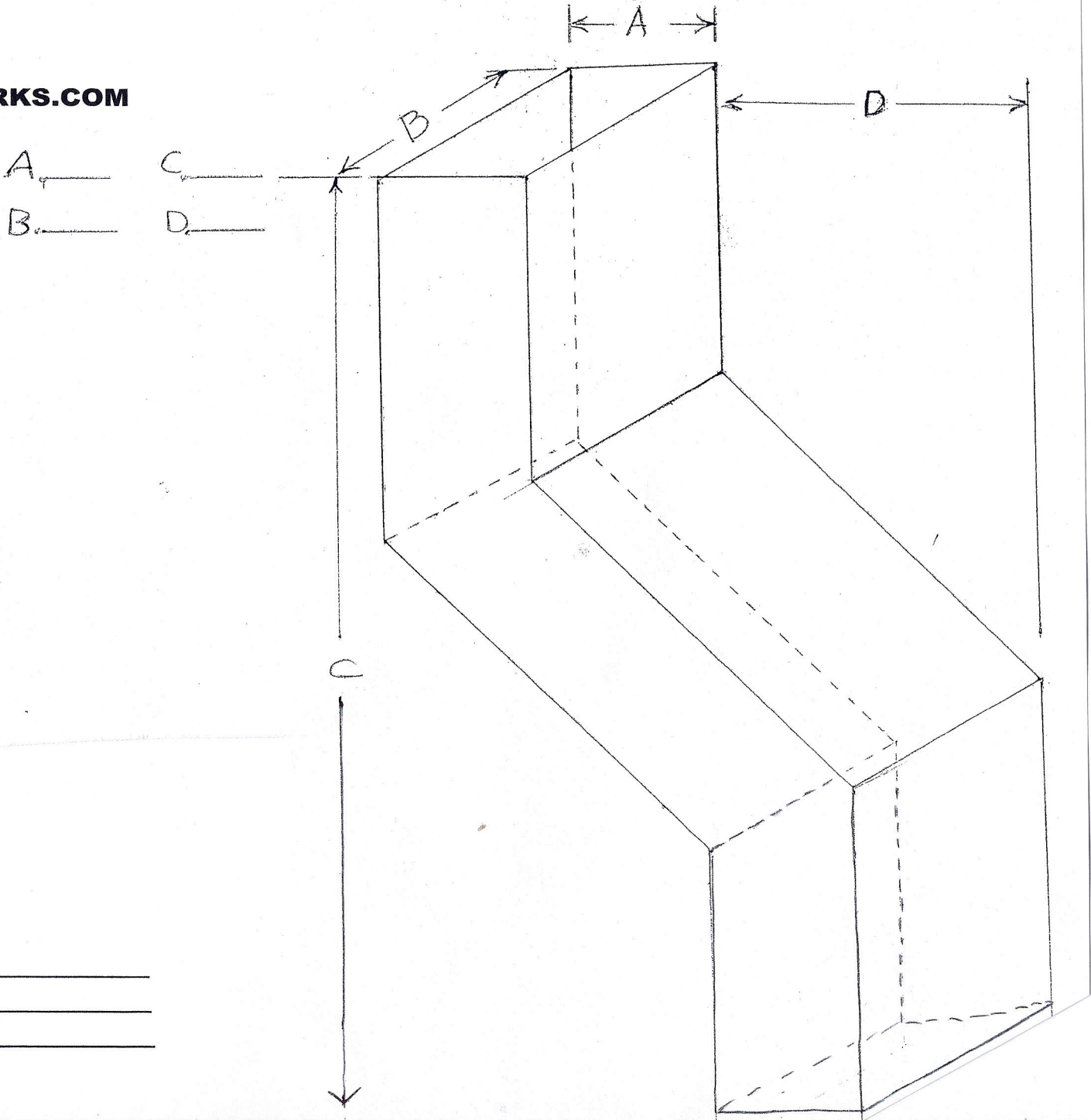
PHONE: 360-461-3821

FAX: 360-681-4734

E-MAIL: INTEGRITY@Q.COM

WEB: INTEGRITYMETALWORKS.COM

SMOOTH WALL DOWNSPOUT OFFSET



BUSINESS NAME: _____
PHONE #: _____
QUANTITY: _____