

**INTEGRITY METAL WORKS INC.**

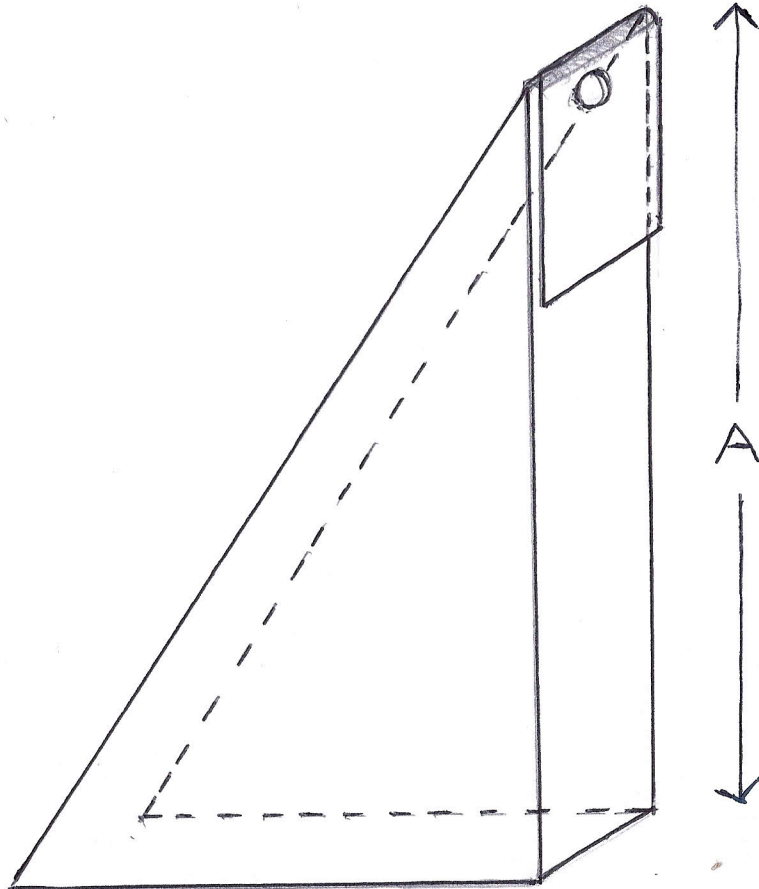
**PHONE: 360-461-3821**

**FAX: 360-681-4734**

**E-MAIL: INTEGRITY@Q.COM**

**WEB: INTEGRITYMETALWORKS.COM**

# CUSTOM GUTTER WEDGES



A= \_\_\_\_\_

PITCH: \_\_\_\_\_

BUSINESS NAME: \_\_\_\_\_

PHONE #: \_\_\_\_\_

QUANTITY: \_\_\_\_\_