

INTEGRITY METAL WORKS INC.

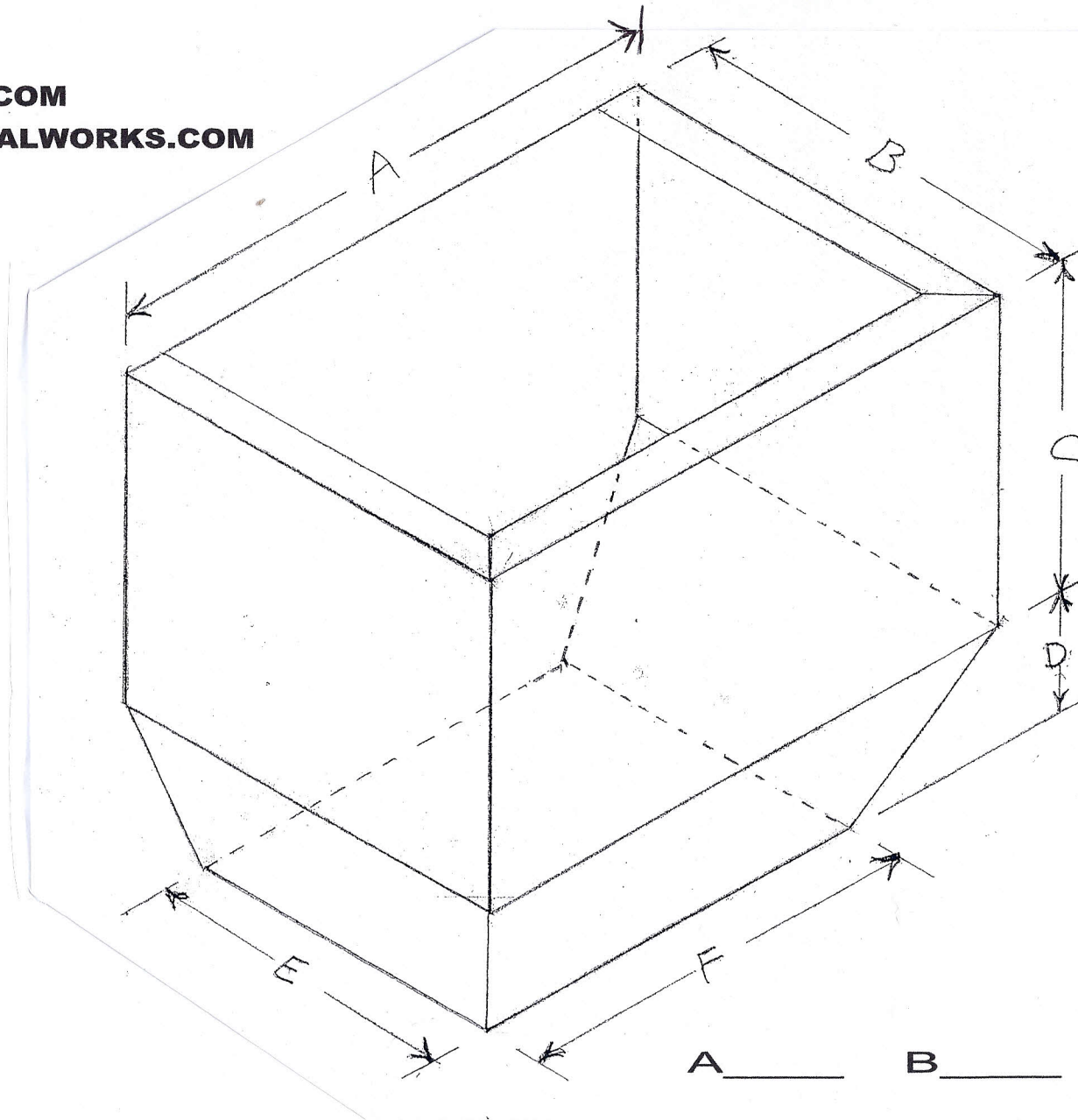
PHONE: 360-461-3821

FAX: 360-681-4734

E-MAIL: INTEGRITY@Q.COM

WEB: INTEGRITYMETALWORKS.COM

CONDUCTOR HEAD



A _____ B _____ C _____

D _____ E _____ F _____

OUTLET SIZE _____

BUSINESS NAME: _____

PHONE #: _____

QUANTITY: _____