

INTEGRITY METAL WORKS INC.

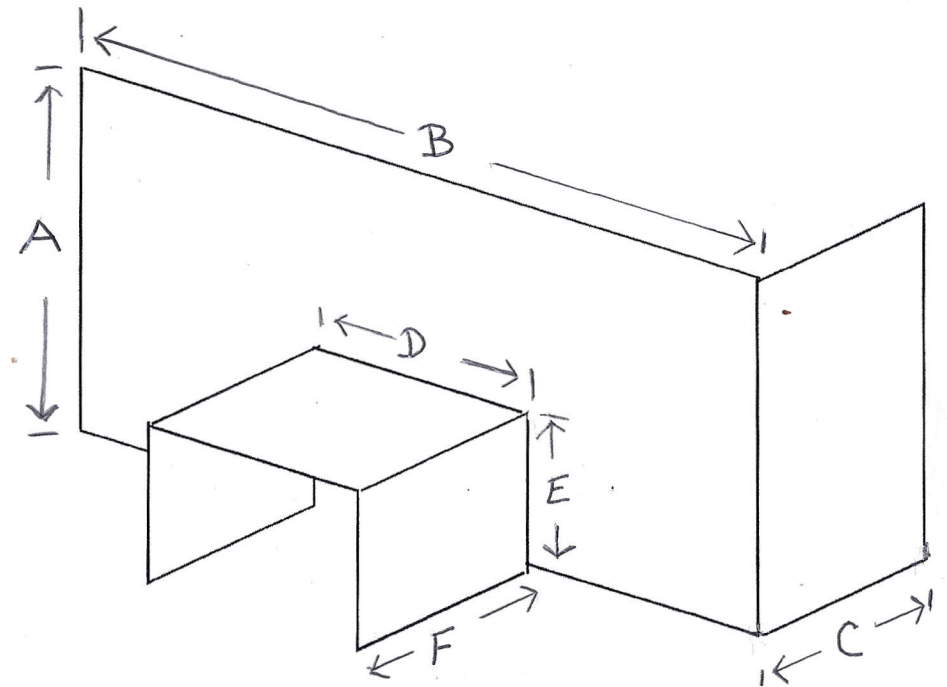
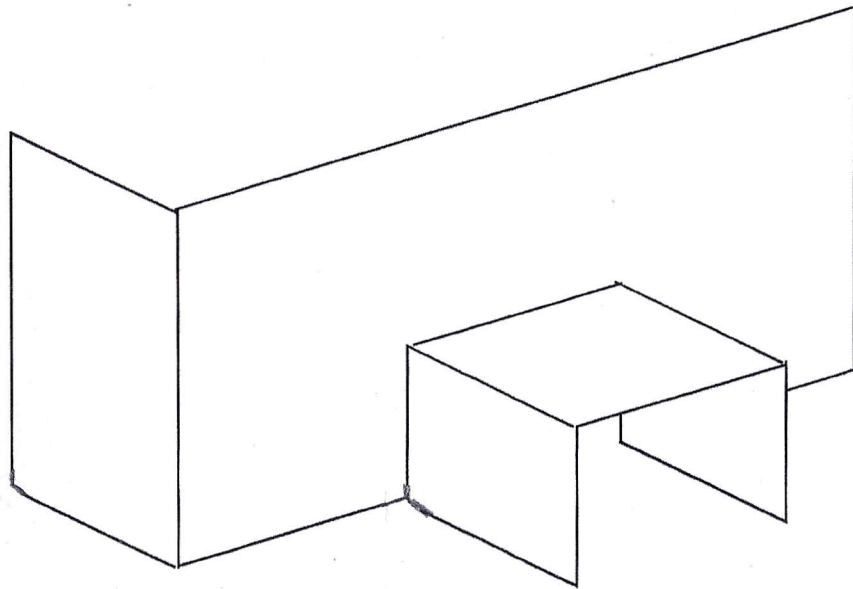
PHONE: 360-461-3821

FAX: 360-681-4734

E-MAIL: INTEGRITY@Q.COM

WEB: INTEGRITYMETALWORKS.COM

CORNER SADDLE



BUSINESS NAME: _____

PHONE#: _____

QUANTITY: _____

MATERIAL: _____

A: _____ B: _____ C: _____

D: _____ E: _____ F: _____